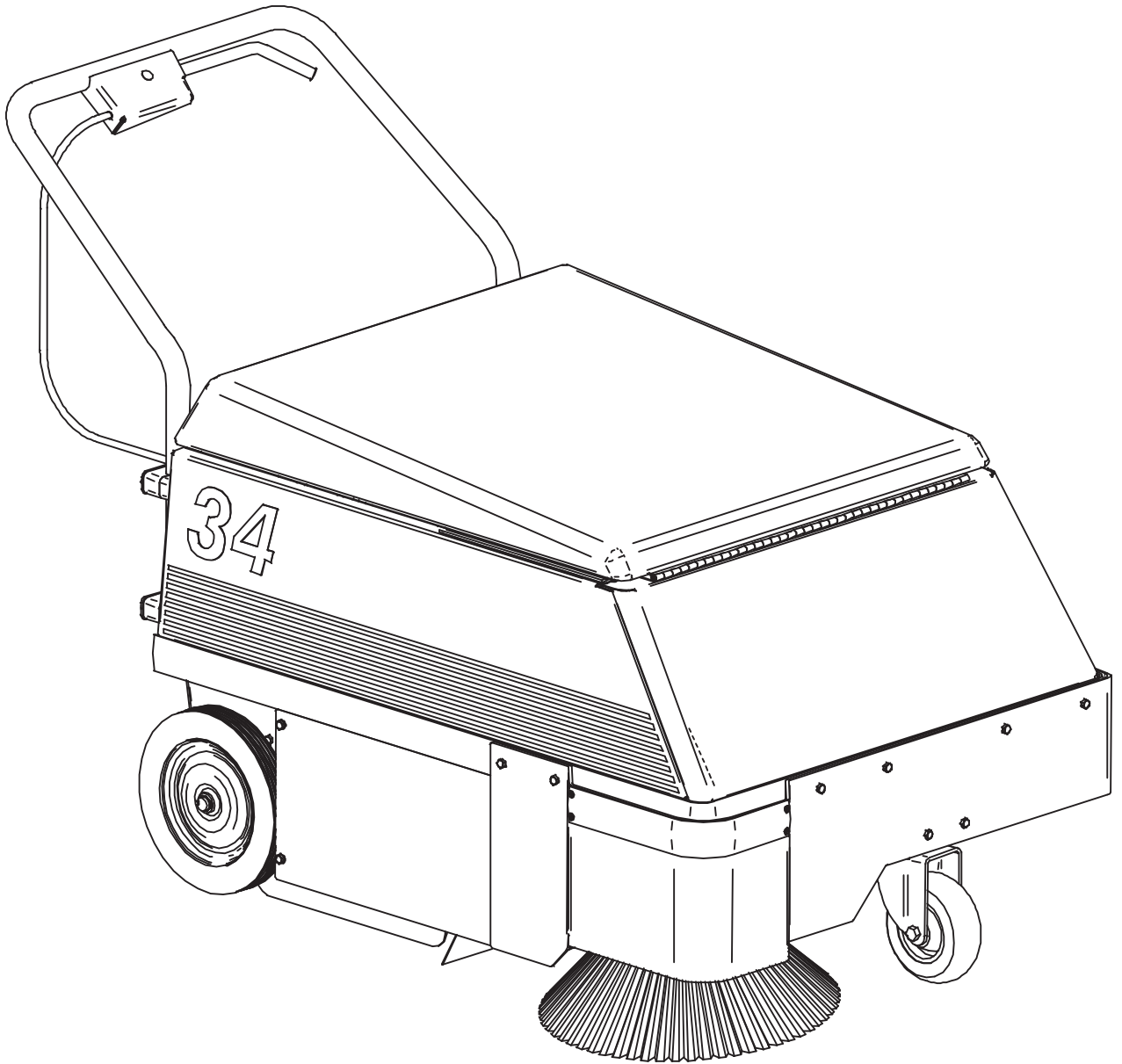


Version 12.0328

PARTS MANUAL

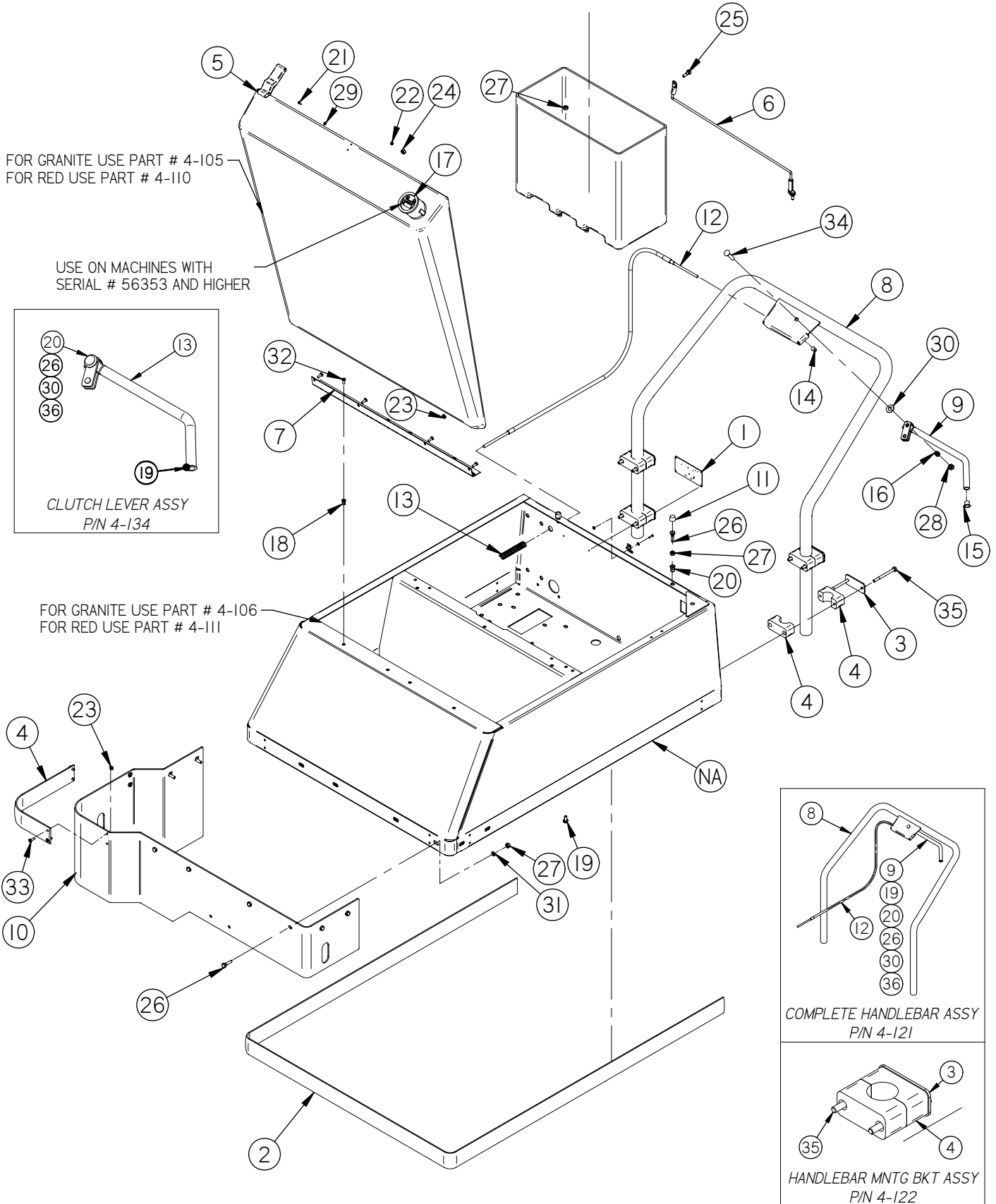
MODEL 34



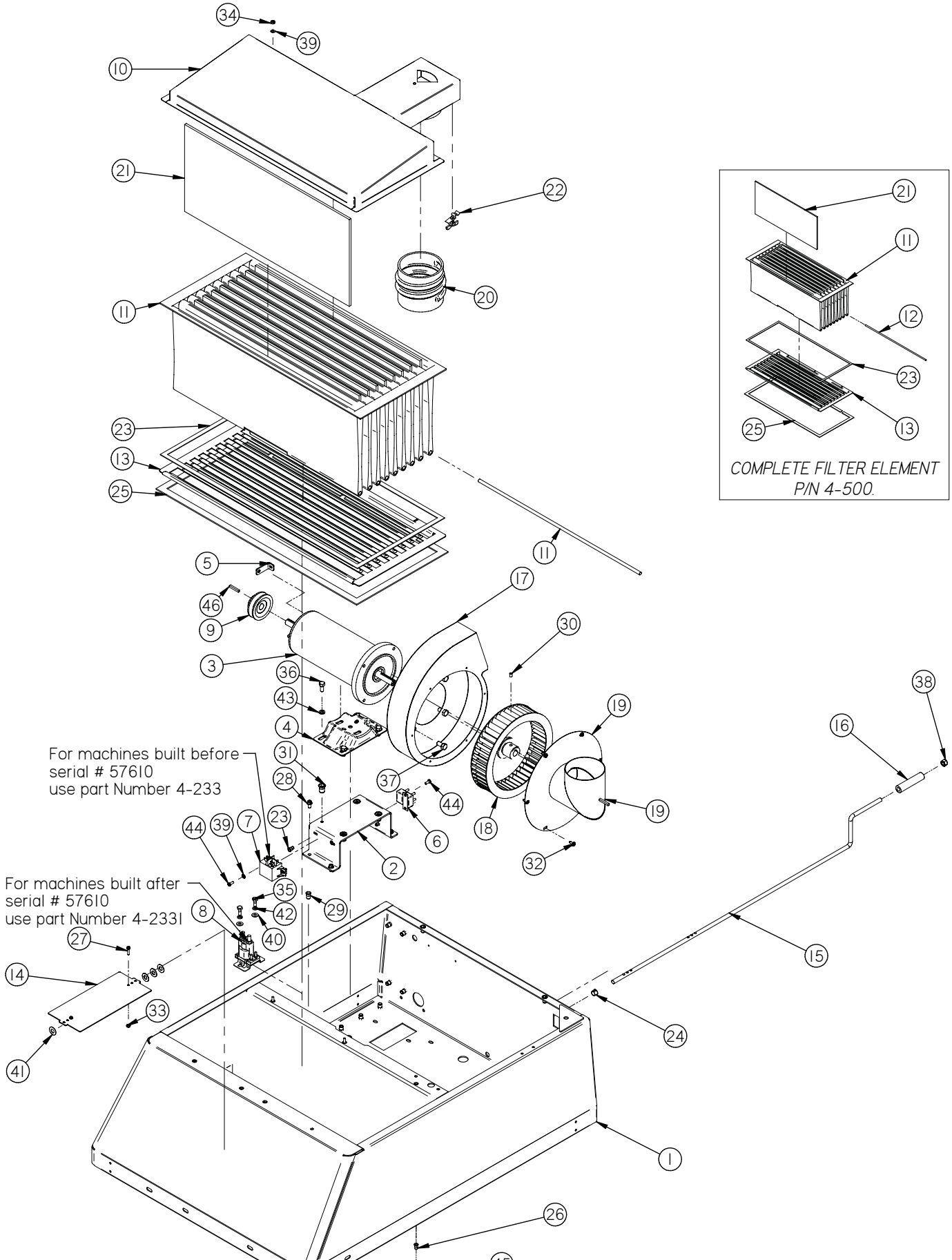
R.P.S. Corporation
P.O. Box 368
Racine, Wisconsin 53401

Phone: 1-800-634-4060
Fax: 1-866-632-6961

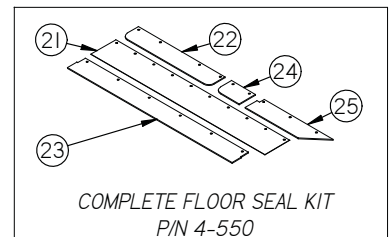
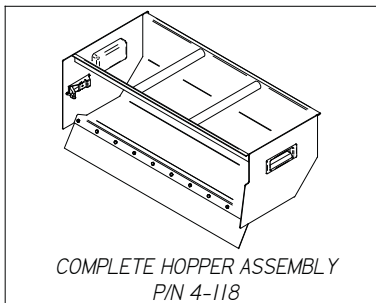
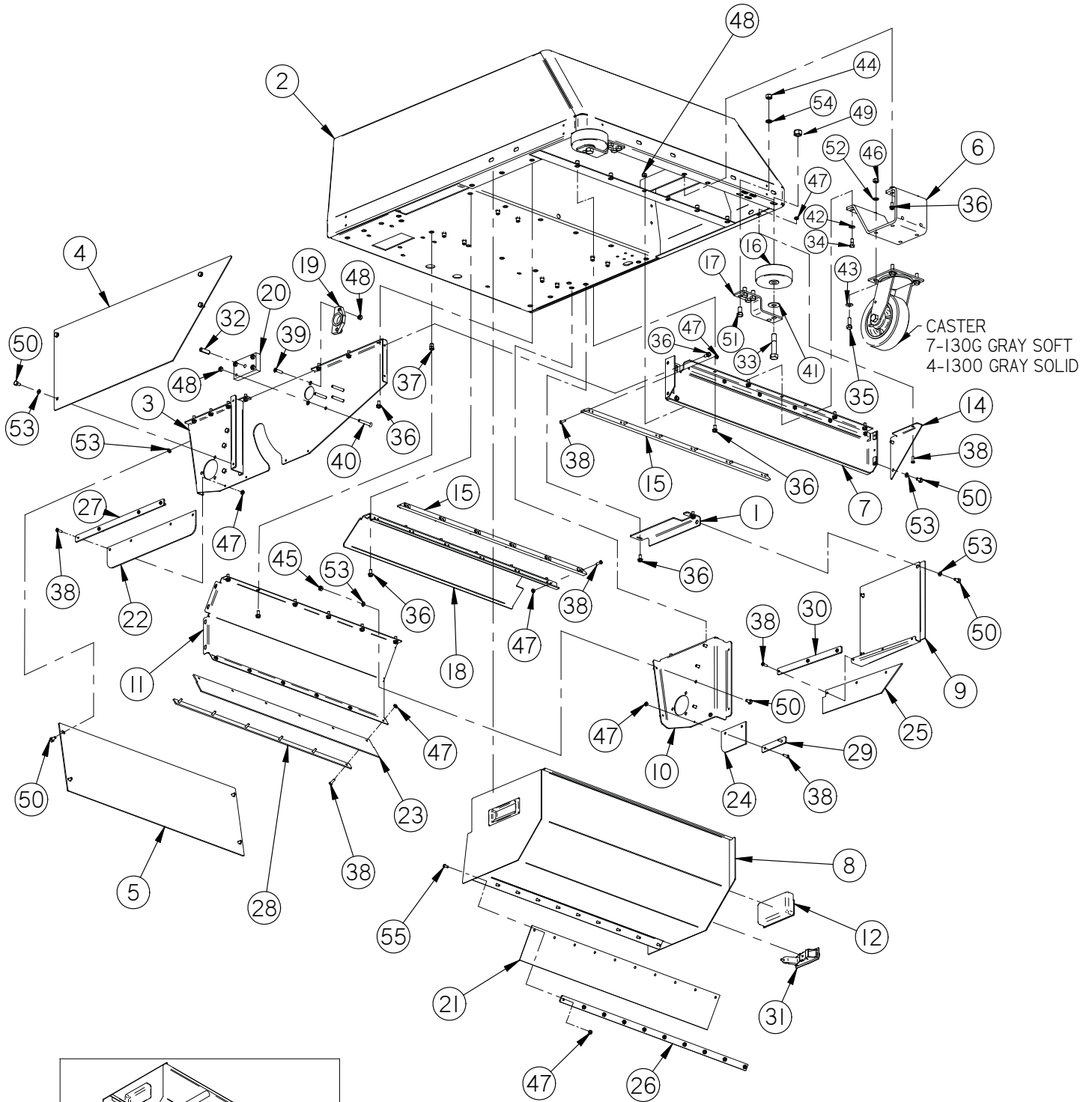
Upper Body Assembly	4
Air System	6
Lower Body Assembly	8
Side Broom Assembly	10
Main Broom Assembly < 57285.....	12
Main Broom Assembly > 57285.....	14
Drive System	16
Power Supply	18
Suggested parts inventory.....	20



Item	Part No.	Description	Comments	Qty
1	4-101	SERIAL NUMBER PLATE		1
2	4-112	2" BLK STRIP BUMPER	12 FT SECTION	1
3	4-122A	HANDLEBAR MTG BKT	4-122 INCL. 4-122A, 4-122B, & HARDWARE	2
4	4-122B	BLACK PLASTIC CLAMP	4-122 INCL. 4-122A, 4-122B, & HARDWARE	3
5	4-124	LATCH	COMPLETE 2 PC WITH RIVETS	1
6	4-126A	HOOD CABLE		1
7	4-131	HINGE 23 3/4" SS		1
8	4-132	HANDLE BAR WELDMENT	P/N 4-121 INCL. ITEMS 12,13,16,19,20,26,30, & 36	1
9	4-134A	CLUTCH LEVER	P/N 4-134 INCL. ITEMS 19,20,26,30,& 36	1
10	4-140	BUMPER	INCLUDES HARDWARE (OPTIONAL)	1
11	4-170	RUBBER HOOD STOP		1
12	4-370	CLUTCH/BRAKE CABLE		1
13	4-371	CLUTCH CABLE RETURN SPRING		1
14	4-379	CLUTCH CABLE ADJ. NUT		1
15	4-387	TUBE PLUG		1
16	4-388	CLUTCH TENSION SPRING		1
17	4-4855	12 V BATTERY METER		1
18	H-1032HCN	HCN #10-32		7
19	H-19901	FB CASHD 1/4"-20 X 1/2"		1
20	H-250HCN	HCN 1/4"-20		50
21	H-28679	PPH #4-40 X 1/2"		1
22	H-37006	NYLOK #4-40		1
23	H-37015	NYLOK #10-32		2
24	H-37018	NYLOK 1/4"-20		1
25	H-70003	HCS 1/4"-20 X 3/4" SS		1
26	H-70005	HCS 1/4"- 20 X 1" SS		2
27	H-70710	HN 1/4"- 20 SS		3
28	H-70861	NYLOK 5/16" - 18 SS		1
29	H-71004	FW 1/8" X 5/16" SS		1
30	H-71017	FW 3/8 ID X 7/8 OD SS		1
31	H-71063	LW 1/4" SS		1
32	H-72515	PPH #10-32 X 1/2" S/S		1
33	H-72683	FHP #10-32 X 5/8" SS		1
34	H-74432	CB 5/16"- 18 X 1-1/2" SS		1
35	H-77015	HCS 1/4"- 20 X 3.0" SS		2

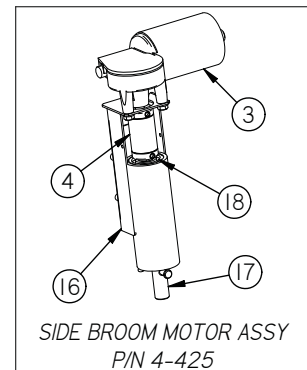
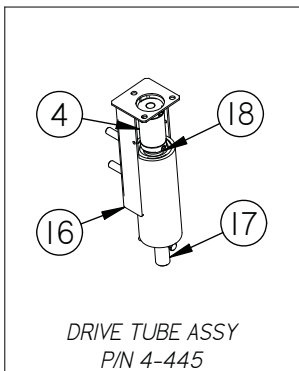
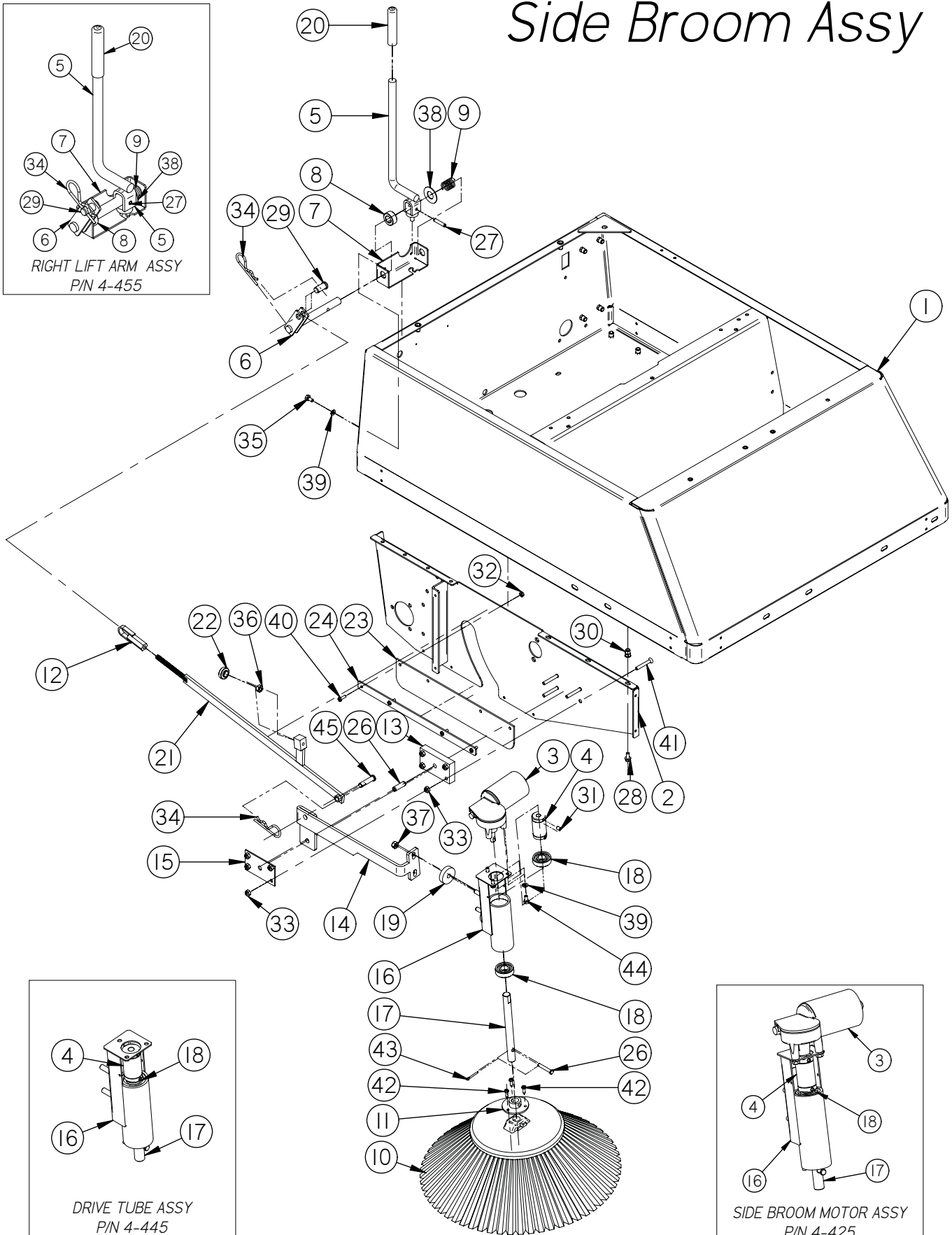
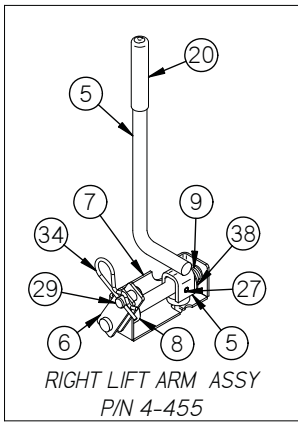


Item	Part No.	Description	Comments	Qty
1	4-111	MAIN BODY		1
2	4-125	MOTOR MOUNTING BRACKET		1
3	4-201	12V,TWIN SHAFT MOTOR		1
4	4-201B	MOTOR CRADLE		1
5	4-210	TERMINAL CLIP		1
6	4-232	CIR. BREAKER - 12V/80A		1
7	4-233	RELAY, 12-V		1
8	4-233I	RELAY, 12V		1
9	4-301	MAIN DRIVE PULLEY		1
10	4-501	FILTER HOOD		1
11	4-502	FILTER ELEMENT	P/N 4-502 INCL. P/N 4-502K, SEAL KIT	1
12	4-503A	FILTER WEIGHT ROD	P/N 4-503 INCL. SET OF 9 RODS	9
13	4-505	FILTER GRILL		1
14	4-506	FILTER BEATER BAR		1
15	4-507	BEATER BAR		1
16	4-509	BEATER BAR HANDLE		1
17	4-511	BLOWER HOUSING		1
18	4-512	BLOWER WHEEL		1
19	4-513	BLOWER DOOR		1
20	4-520A	BLOWER HOSE		1
21	4-521A	FILTER SEPARATOR	P/N 4-521 INCL. SET OF 9 SEPARATORS	9
22	4-522	DOOR LATCH	INCLUDES SET OF 2	1
23	H-002	1/2" DBL SIDED TAPE	P/N 4-502K INCL. P/N H-002 & H-048	1
24	H-00287	.375 HEYCO COLLAR		1
25	H-048	3/16" PVC FOAM	P/N 4-502K INCL. P/N H-002 & H-048	1
26	H-1032HCN	HCN #10-32		15
27	H-10436-00107	FB #8-32 X 3/4"		1
28	H-19901	FB CASHD 1/4"-20 X 1/2"		1
29	H-250HCN	HCN 1/4"-20		50
30	H-25328	SSS CP 1/4"-20 X 3/8"		1
31	H-312HCN	HCN 5/16"-18		4
32	H-31810	HW #10 X 1/2		1
33	H-37012	NYLOK #8-32		1
34	H-37408	KN #10-32		1
35	H-70003	HCS 1/4"-20 X 3/4" SS		2
36	H-70053	HCS 5/16"- 18 X 3/4" SS		1
37	H-70103	HCS 3/8"-16 X 3/4" SS		1
38	H-70862	NYLOK 3/8"-16 SS		1
39	H-71009	FW #10 SS		2
40	H-71013	FW 1/4 ID X 5/8 OD SS		2
41	H-71017	FW 3/8 ID X 7/8 OD SS		1
42	H-71063	LW 1/4" SS		2



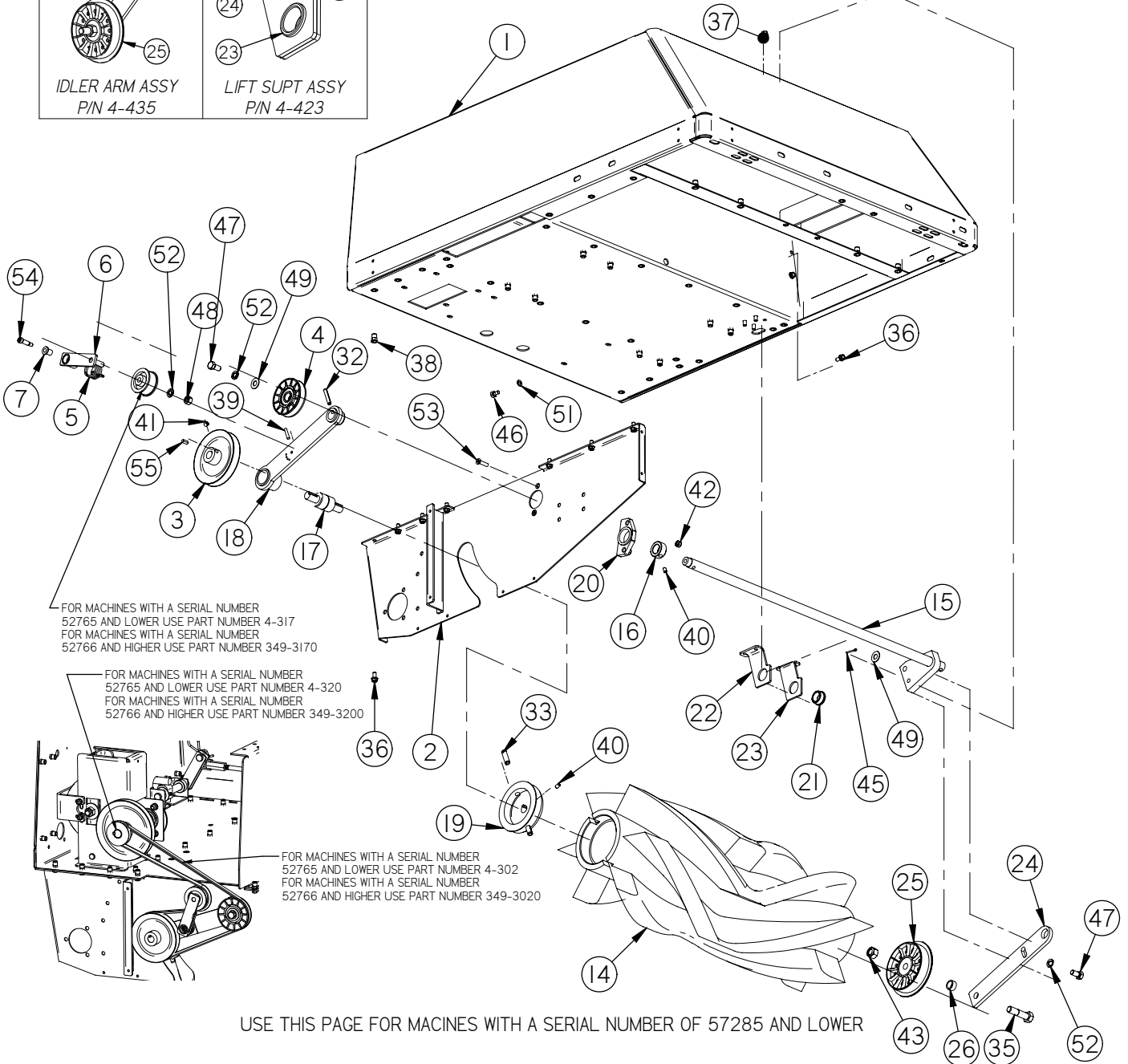
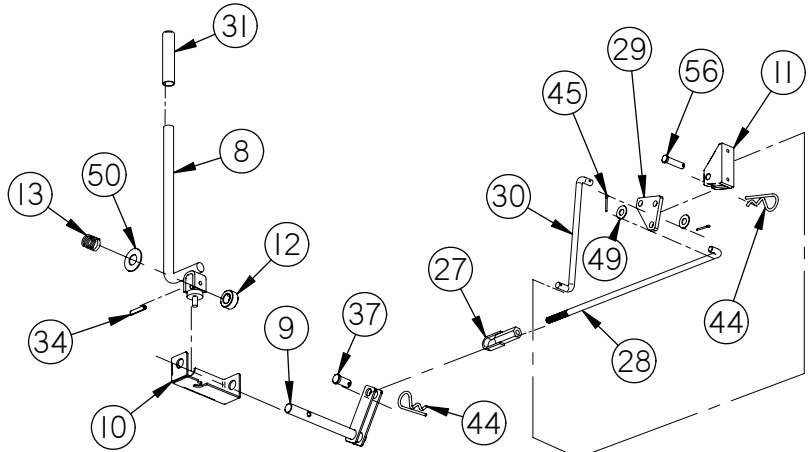
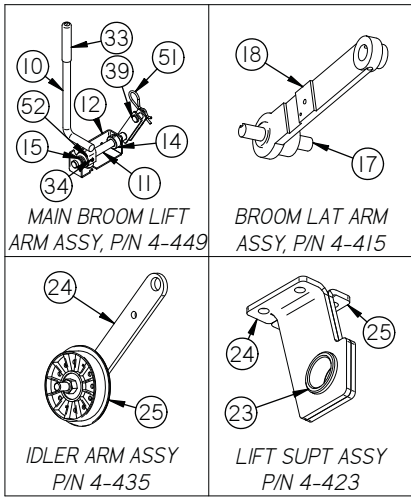
Item	Part No.	Description	Comments	Qty
1	4-108	DOOR MNT ANGLE		1
2	4-111	MAIN BODY		1
3	4-113	R. INNER SIDE PANEL		1
4	4-114	SKIRT PLATE, RT		1
5	4-115	SKIRT PLATE REAR		1
6	4-116	CASTER MTG BRACKET		1
7	4-117	FRONT CROSS PANEL	4-118 INCL. 4-118B, 4-127, 5-130, SEALS & HARDWARE	1
8	4-118B	HOPPER BODY		1
9	4-119	BROOM ACCESS HATCH		1
10	4-120	REAR INNER PANEL, LT		1
11	4-123	INNER CURVED PANEL		1
12	4-127	HANDLE		2
14	4-135	L.F. PANEL GUSSET		1
15	4-141	HDPE HOPPER SLIDE		2
16	4-142	ROLLER		2
17	4-143	ROLLER BRACKET		2
18	4-384	ATTENUATOR		1
19	4-421	SUPPORT BLOCK		1
20	4-441	BROOM MOUNTING BLOCK		1
21	4-514	HOPPER FLOOR SEAL	P/N 4-550 INCLUDES: ITEMS 21,22,23,24, & 25	1
22	4-515	RIGHT FLOOR SEAL		1
23	4-516	REAR FLOOR SEAL		1
24	4-517	CORNER FLOOR SEAL		1
25	4-518	BROOM FLOOR SEAL		1
26	4-525	HOPPER SEAL STRIP		1
27	4-526	RH SEAL STRIP		1
28	4-527	REAR SEAL STRIP		1
29	4-528	CORNER SEAL STRIP		1
30	4-529	CURTAIN CLAMP		1
31	5-130	DOOR LATCH		1
32	H-10436-0105	3/8" X 1 1/4" SPRING PIN		1
33	H-77205	HCS 1/2"-13 X 1" SS		2
34	H-70003	HCS 1/4"-20 X 5/8" SS		2
35	H-70055	HCS 5/16"- 18 X 1" SS		4
36	H-19901	FB CASHD 1/4"-20 X 1/2"		29
37	H-250HCN	HCN 1/4"-20		50
38	H-72517	PPH #10-32 X 5/8" SS		28
39	H-72710	FHP 1/4"- 20 X 1" SS		2
40	H-72716	FHP 1/4"- 20 X 1-3/4"		4
41	H-71021	FW 1/2 ID X 1-1/4 OD SS		2
42	H-71013	FW 1/4 ID X 5/8 OD SS		2
43	H-71015	FW 5/16 ID X 3/4 OD SS		4
44	H-70712	HN 3/8"-16 SS		8
45	H-70710	HN 1/4"- 20 SS		8
46	H-70711	HN 5/16"- 18 SS		4
47	H-37015	NYLOK #10-32		35
48	H-37018	NYLOK 1/4"-20		8
49	H-37030	NYLOK 1/2"-13		2
50	H-70001	HCS 1/4"-20 X 1/2 SS"		21
51	H-70103	HCS 3/8"-16 X 3/4" SS		8
52	H-71065	LW 5/16" SS		4
53	H-71063	LW 1/4" SS		23
54	H-71067	LW 3/8" SS		8
55	H-71671	HXMS #10-32 X 1/2" SS		10

Side Broom Assy

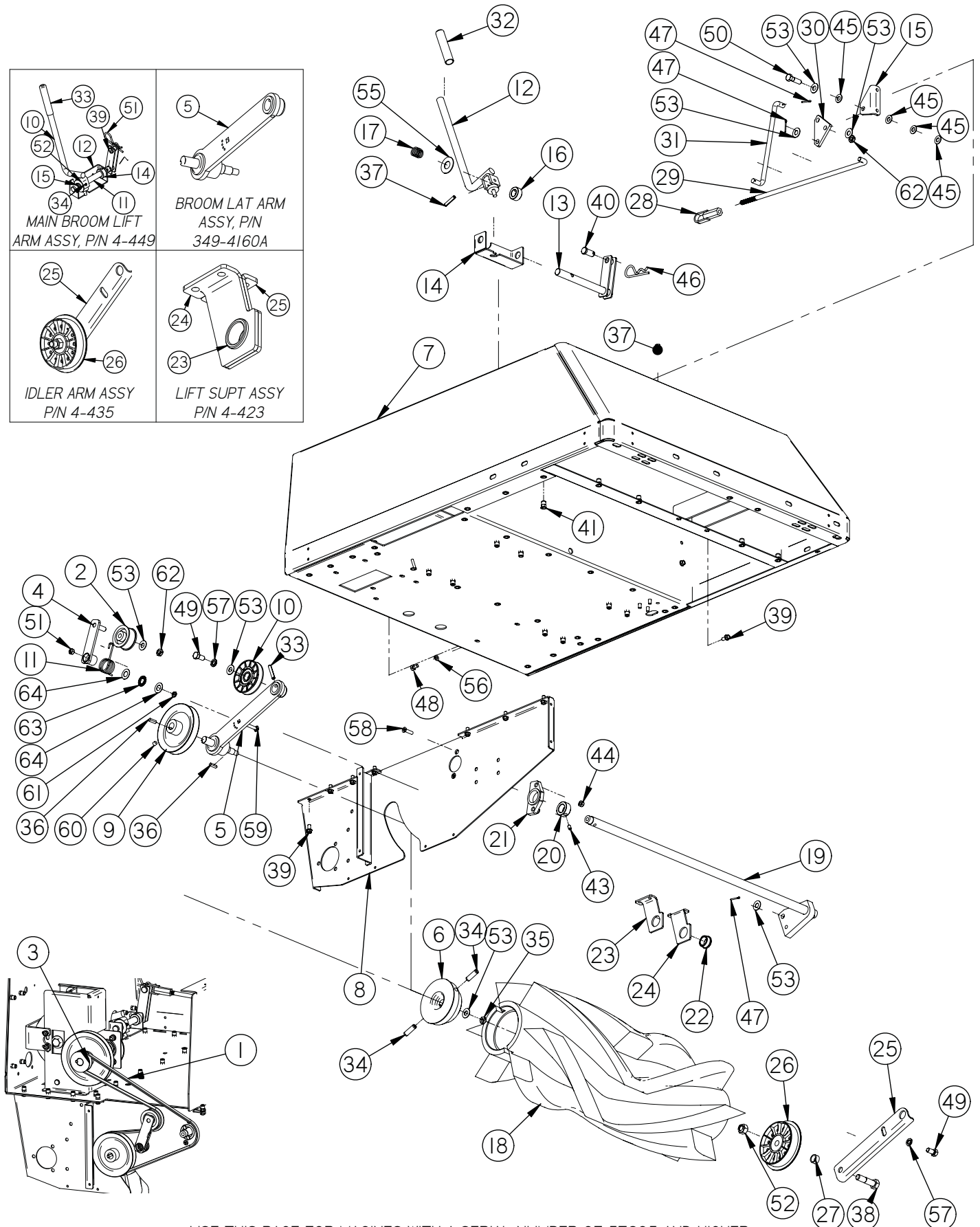
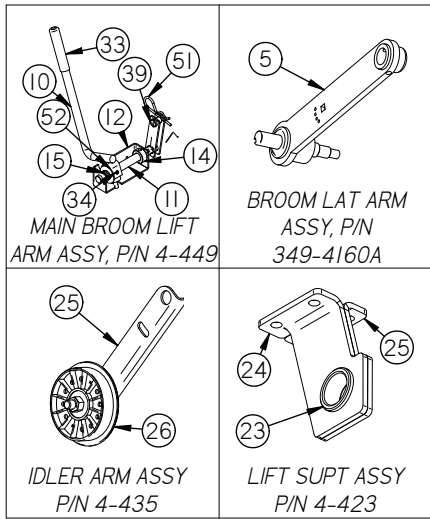


Item	Part No.	Description	Comments	Qty
1	4-111	MAIN BODY		1
2	4-113	R. INNER SIDE PANEL		1
3	4-220	SIDE BROOM MOTOR	P/N 4-425 INCL. ITEMS 3,15,16,17,18 & HARDWARE	1
4	4-223	BROOM SAFETY DRIVE CPLG		1
5	4-376	BROOM LIFT LEVER	P/N 4-455 INCL. ITEMS 4,5,6,7,8,19 & HARDWARE	1
6	4-378	BROOM LIFT SHAFT		1
7	4-381	LIFT LEVER BASE, RT		1
8	4-385	LIFT LEVER COLLAR		1
9	4-386	LIFT LEVER SPRING		1
10	4-402	SIDE BROOM POLYPROPYLENE	P/N 4-402 INCLUDES P/N 4-404	1
11	4-404	SIDE BROOM CLUTCH PLATE	P/N 4-402 INCLUDES P/N 4-404	1
12	4-436	ADJ. BROOM LIFT		1
13	4-441	BROOM MOUNTING BLOCK		1
14	4-442	SIDE BROOM ARM		1
15	4-443	BROOM RETAINING PLATE		1
16	4-445A	BROOM MOTOR MOUNT	P/N 4-445 INCL. ITEMS 15,16,17,18 & HARDWARE	1
17	4-445B	BROOM SHAFT		1
18	4-445C	DRIVE TUBE BEARING		2
19	4-446	GROMMET-3/8 ID X 1-1/2 OD X .375		2
20	4-448	HANDLE GRIP		1
21	4-456	SIDE BROOM LONG LINK		1
22	4-457	ADJUSTMENT KNOB		1
23	4-515	RIGHT FLOOR SEAL		1
24	4-526	RH SEAL STRIP		1
25	H-00105	3/8" X 1 1/4" SPRING PIN		1
26	H-0156730	1/4" X 1 1/2" CLEVIS PIN		1
27	H-10436-0010	1/4" X 1 1/4" SPRING PIN		1
28	H-19901	FB CASHD 1/4"-20 X 1/2"		7
29	H-2250- 218	1/2" X 1" CLEVIS PIN		1
30	H-250HCN	HCN 1/4"-20		50
31	H-25328	SSS CP 1/4"-20 X 3/8"		2
32	H-37015	NYLOK #10-32		4
33	H-37018	NYLOK 1/4"-20		8
34	H-45285	HITCH PIN CLIP 9		2
35	H-70001	HCS 1/4"-20 X 1/2 SS"		2
36	H-70711	HN 5/16"- 18 SS		1
37	H-70861	NYLOK 5/16" - 18 SS		2
38	H-71025	FW 5/8 ID X 1-1/2 OD SS		1
39	H-71063	LW 1/4" SS		4
40	H-72517	PPH #10-32 X 5/8" SS		4
41	H-72716	FHP 1/4"- 20 X 1-3/4"		4
42	H-72916	PPH SMS #8 X 3/4" SS		3
43	H-HAIR4	#4 HAIR PIN		1
44	H-M82550	HCS M6-1.0 X 14 SS		3
45	H-ZCPI54	3/8" X 1 1/2" CLEVIS PIN		1

12 Main Broom Assembly < 57285



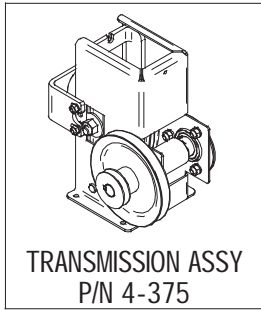
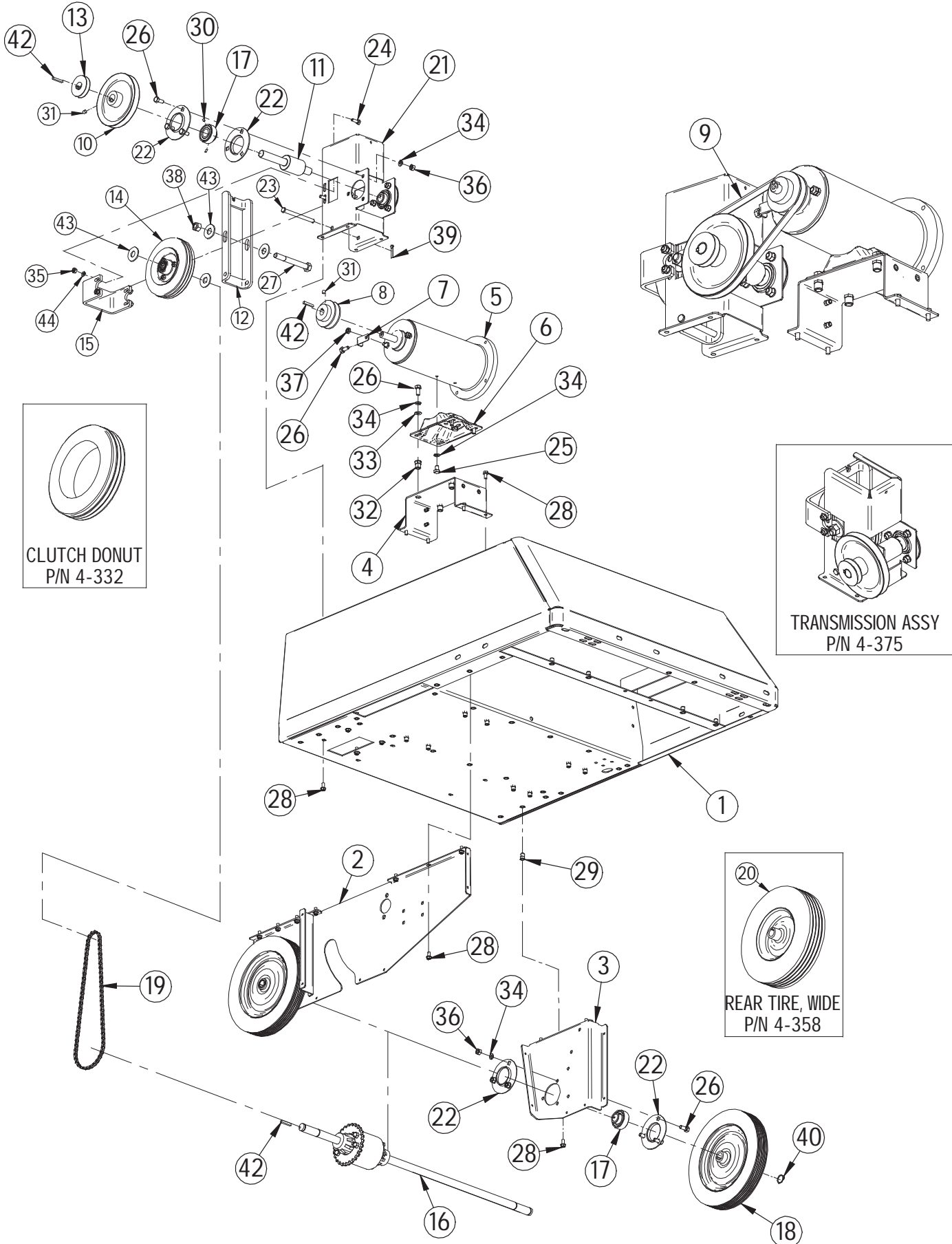
Item	Part No.	Description	Comments	Qty
1	4-111	MAIN BODY		1
2	4-113	R. INNER SIDE PANEL		1
3	4-316	BROOM DRIVE PULLEY		1
4	4-318	IDLER PULLEY		1
5	4-319	TENSION SPRING		1
6	4-360	REVERSE IDLER ARM		1
7	4-366	BUSHING, IDLER ARM		1
8	4-376	BROOM LIFT LEVER		1
9	4-377	BROOM LIFT SHAFT		1
10	4-380	LIFT LEVER BASE, LT		1
11	4-382	ROTARY LINK BASE		1
12	4-385	LIFT LEVER COLLAR		1
13	4-386	LIFT LEVER SPRING		1
14	4-401US	26" MAIN BROOM		1
15	4-410	BROOM SUSP. ARM		1
16	4-410A	3/4" SHAFT COLLAR		1
17	4-412	BROOM DRIVE BEARING		1
18	4-416	MAIN BROOM LAT. ARM	P/N 4-415 INCL. P/N 4-412 & P/N 4-416	1
19	4-420	BROOM DRIVER	P/N 4-415 INCL. P/N 4-412 & P/N 4-416	1
20	4-421	SUPPORT BLOCK	INCLUDES: KEY, SET SCREWS, AND ROLL PINS	1
21	4-4230	3/4" X 1" X 1/2" FLG BEARING		1
22	4-423B-L	SUPPORT BRACKET TABS	P/N 4-423 INCL. P/N 4-423B-L, 4-423B-R & 4-4230	1
23	4-423B-R	SUPPORT BRACKET TABS	P/N 4-423 INCL. P/N 4-423B-L, 4-423B-R & 4-4230	1
24	4-430	IDLER ARM	P/N 4-423 INCL. P/N 4-423B-L, 4-423B-R & 4-4230	1
25	4-432	IDLER DRUM	P/N 4-435 INCL. 4-430, 4-432, 4-432A, & HARDWARE	1
26	4-432A	IDLER DRUM SPACER	P/N 4-435 INCL. 4-430, 4-432, 4-432A, & HARDWARE	1
27	4-436	ADJ. BROOM LIFT	P/N 4-435 INCL. 4-430, 4-432, 4-432A, & HARDWARE	1
28	4-437	BROOM LONG LINK	P/N 4-449 INCL. ITEMS: 10,11,12,14,15,33,34,39,51,52 & HDWE	1
29	4-438	BROOM ROTARY LINK		1
30	4-439	BROOM CRANK LINK		1
31	4-448	HANDLE GRIP		1
32	H-00103	1/4" X 1 1/2" SPRING PIN		1
33	H-00105	3/8" X 1 1/4" SPRING PIN		2
34	H-10436-0010	1/4" X 1 1/4" SPRING PIN		1
35	H-13211	HCS 1/2"-13 X 2"		1
36	H-19901	FB CASHD 1/4"-20 X 1/2"		12
37	H-2250- 218	1/2" X 1" CLEVIS PIN		1
38	H-250HCN	HCN 1/4"-20		50
39	H-25283	SSS CP #10-32 X 1"		1
40	H-25328	SSS CP 1/4"-20 X 3/8"		3
41	H-25435	SSS CP 5/16" X 1/4"		1
42	H-37018	NYLOK 1/4"-20		3
43	H-37030	NYLOK 1/2"-13		1
44	H-45285	HITCH PIN CLIP 9		2
45	H-65035	3/32" X 7/8" COTTER PIN		3
46	H-70001	HCS 1/4"-20 X 1/2 SS"		2
47	H-70103	HCS 3/8"-16 X 3/4" SS		2
48	H-70712	HN 3/8"-16 SS		1
49	H-71017	FW 3/8 ID X 7/8 OD SS		4
50	H-71025	FW 5/8 ID X 1-1/2 OD SS		1
51	H-71063	LW 1/4" SS		2
52	H-71067	LW 3/8" SS		3
53	H-72710	FHP 1/4"- 20 X 1" SS		2
54	H-74107	SB 5/16" X 3/4" SS		1
55	H-K1432	3/16" X 1/2" KEY		1
56	H-ZCPI54	3/8" X 1 1/2" CLEVIS PIN		1



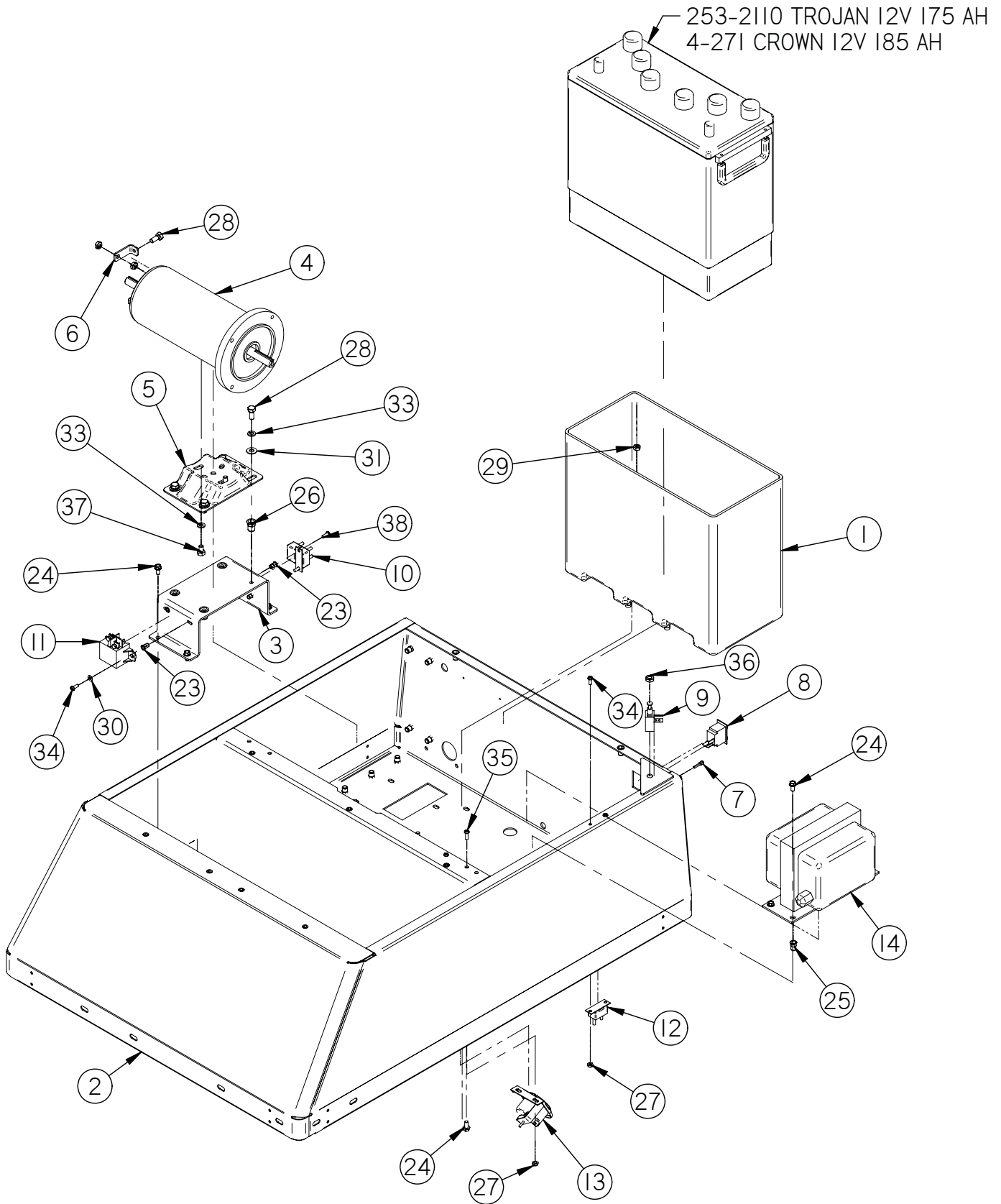
USE THIS PAGE FOR MACINES WITH A SERIAL NUMBER OF 57285 AND HIGHER

Item	Part No.	Description	Comments	Qty
1	349-3020	MAIN BROOM BELT		1
2	349-3170	IDLER PULLEY		1
3	349-3200	BROOM DRIVE PULLEY		1
4	349-3600	REVERSE IDLER ARM		1
5	349-4160A	MAIN BROOM LAT ARM W/BEARING		1
6	349-4200	BROOM DRIVER		1
7	4-111	MAIN BODY		1
8	4-113	R. INNER SIDE PANEL		1
9	4-316	BROOM DRIVE PULLEY		1
10	4-318	IDLER PULLEY		1
11	4-319	TENSION SPRING		1
12	4-376	BROOM LIFT LEVER		1
13	4-377	BROOM LIFT SHAFT		1
14	4-380	LIFT LEVER BASE, LT		1
15	4-382	ROTARY LINK BASE		1
16	4-385	LIFT LEVER COLLAR		1
17	4-386	LIFT LEVER SPRING		1
18	4-401US	26" MAIN BROOM		1
19	4-410	BROOM SUSP. ARM		1
20	4-410A	3/4" SHAFT COLLAR		1
21	4-421	SUPPORT BLOCK	INCLUDES: KEY, SET SCREWS, AND ROLL PINS	1
22	4-4230	3/4" X 1" X 1/2" FLG BEARING		1
23	4-423B-L	SUPPORT BRACKET TABS	P/N 4-423 INCL. P/N 4-423B-L, 4-423B-R & 4-4230	1
24	4-423B-R	SUPPORT BRACKET TABS	P/N 4-423 INCL. P/N 4-423B-L, 4-423B-R & 4-4230	1
25	4-430	IDLER ARM	P/N 4-423 INCL. P/N 4-423B-L, 4-423B-R & 4-4230	1
26	4-432	IDLER DRUM	P/N 4-435 INCL. 4-430, 4-432, 4-432A, & HARDWARE	1
27	4-432A	IDLER DRUM SPACER	P/N 4-435 INCL. 4-430, 4-432, 4-432A, & HARDWARE	1
28	4-436	ADJ. BROOM LIFT	P/N 4-435 INCL. 4-430, 4-432, 4-432A, & HARDWARE	1
29	4-437	BROOM LONG LINK	P/N 4-449 INCL. ITEMS: 10,11,12,14,15,33,34,39,51,52 & HDWE	1
30	4-438	BROOM ROTARY LINK		1
31	4-439	BROOM CRANK LINK		1
32	4-448	HANDLE GRIP		1
33	H-00103	1/4" X 1 1/2" SPRING PIN		1
34	H-00105	3/8" X 1 1/4" SPRING PIN		2
35	H-0171004	JNYL 3/8- 24 SS		1
36	H-0953152	3/16" X 3/4" KEY		2
37	H-10436-0010	1/4" X 1 1/4" SPRING PIN		1
38	H-13211	HCS 1/2"-13 X 2"		1
39	H-19901	FB CASHD 1/4"-20 X 1/2"		12
40	H-2250- 218	1/2" X 1" CLEVIS PIN		1
41	H-250HCN	HCN 1/4"-20		50
42*	H-25283	SSS CP #10-32 X 1"		1
43	H-25328	SSS CP 1/4"-20 X 3/8"		1
44	H-37018	NYLOK 1/4"-20		3
45	H-4440024	FW 3/8" X 3/4" NYLON		4
46	H-45285	HITCH PIN CLIP 9		1
47	H-65035	3/32" X 7/8" COTTER PIN		3
48	H-70001	HCS 1/4"-20 X 1/2 SS"		2
49	H-70103	HCS 3/8"-16 X 3/4" SS		2
50	H-70107	HCS 3/8"- 16 X 1-1/4" SS		1
51	H-70860	NYLOK 1/4"- 20 SS		1
52	H-70864	NYLOK 1/2"-13 SS		1
53	H-71017	FW 3/8 ID X 7/8 OD SS		7
54*	H-71021	FW 1/2 ID X 1-1/4 OD SS		1
55	H-71025	FW 5/8 ID X 1-1/2 OD SS		1
56	H-71063	LW 1/4" SS		2
57	H-71067	LW 3/8" SS		2
58	H-72710	FHP 1/4"- 20 X 1" SS		2
59	H-74421	CB 1/4"- 20 X 1-1/4" SS		1
60	H-81983	5/16" X 1/4" KURL SET SCREW		1
61	H-NJ04C	JNYL 1/4" - 20 SS		1
62	H-NJ06C	JNYL 3/8- 16 SS		2
63	M-5909K31	NEEDLE ROLLER THRUST BEARING		1
64	M-5909K44	NEEDLE ROLLER THRUST BEARING WASHER		2

16 Drive System



Item	Part No.	Description	Comments	Qty
1	4-111	MAIN BODY		1
2	4-113	R. INNER SIDE PANEL		1
3	4-120	REAR INNER PANEL, LT		1
4	4-125	MOTOR SUPT BRACKET		1
5	4-201	12V,TWIN SHAFT MOTOR		1
6	4-201B	MOTOR CRADLE		1
7	4-210	TERMINAL CLIP		1
8	4-301	MAIN DRIVE PULLEY		1
9	4-311	BELT, 4L260		1
10	4-312	TRANS INPUT PULLEY	P/N 4-375 INCL. COMPLETE TRANSMISSION ASSY	1
11	4-313	REAR WHEEL CAPSTAN		1
12	4-314	CLUTCH MTG BRACKET		1
13	4-320	BROOM DRIVE PULLEY		1
14	4-330	CLUTCH WHEEL ASSY	CLUTCH DONUT ORDERED SEPARATE IS P/N 4-332	1
15	4-340	BRAKE SHOE		1
16	4-350	DIFFERENTIAL AXLE		1
17	4-352	BEARING		4
18	4-353	REAR TIRE, STANDARD		2
19	4-354	DRIVE CHAIN W/ MASTER LINK		1
20	4-358	REAR TIRE, WIDE	(OPTIONAL)	2
21	4-362	TRANS. HOUSING		1
22	4-364A	FLANGE, 1.75" ID	P/N 4-364 INCLUDES SET OF 2	8
23	H-10436- 00135	3/8" X 4 1/2" CLEVIS PIN		1
24	H-13003	HCS 1/4"-20 X 3/4"		4
25	H-13051	HCS 5/16"- 18 X 1/2"		2
26	H-13053	HCS 5/16"-18 X 3/4"		16
27	H-15220	HB 1/2"-13 X 4 1/4"		1
28	H-19901	FB CASHD 1/4"-20 X 1/2"		18
29	H-250HCN	HCN 1/4"-20		50
30	H-25153	SSS CP #8-32 X 1/4 "		4
31	H-25435	SSS CP 5/16" X 1/4"		2
32	H-312HCN	HCN 5/16"-18		4
33	H-33080	FW 5/16" SAE		4
34	H-33620	LW 5/16"		16
35	H-36102	HN 1/4"-20		4
36	H-36104	HN 5/16"-18		12
37	H-36204	JN 5/16"- 18		4
38	H-37030	NYLOK 1/2"-13		1
39	H-65076	1/8" X 1" COTTER PIN		1
40	H-68015	SNAPRING 3/4"		2
41	H-71063	LW 1/4" SS		4
42	H-K14320	3/16" X 1 1/4" KEY		5
43	P50352	FW 17/32"		4



Item	Part No.	Description	Comments	Qty
1	4-0000	34/3300 BATTERY TRAY		1
2	4-111	MAIN BODY		1
3	4-125	MOTOR MOUNTING BRACKET		1
4	4-201	12V,TWIN SHAFT MOTOR		1
5	4-201B	MOTOR CRADLE		1
6	4-210	TERMINAL CLIP		1
7	4-227	LOW BATTERY LIGHT		1
8	4-229	3 POS ROCKER SWITCH		1
9	4-231	SAFETY SHUT OFF SWITCH		1
10	4-232	CIR. BREAKER - 12V/80A		1
11	4-233	RELAY, 12-V		1
12	4-235	CIR. BREAKER - 12V/6A		1
13	4-240	HOUR METER		1
14	4-244	BATTERY CHARGER		1
15	4-251	SUB-LEAD, BATTERY TO GREY 50 CONN.	<i>NOT SHOWN</i>	1
16	4-251N	SUB-LEAD, BATTERY TO GREY 50 CONN.	<i>NOT SHOWN</i>	1
17	4-252	SUB-HARNESS, GREY 50 TO 80 AMP BREAKER	<i>NOT SHOWN</i>	1
18	4-253	SUB-HARNESS, 80 AMP BREAKER TO SOLENOID	<i>NOT SHOWN</i>	1
19	4-254	SUB-LEAD, SOLENOID TO MAIN MOTOR	<i>NOT SHOWN</i>	1
20	4-255	SUB-HARNESS, MAIN WIRING HARNESS	<i>NOT SHOWN</i>	1
21	4-256	GREY 50 CONNECTOR WITH CONTACTS	<i>NOT SHOWN</i>	2
22	4-260	CONNECTOR, GREY 50	<i>NOT SHOWN</i>	2
23	H-1032HCN	HCN #10-32		11
24	H-19901	FB CASHD 1/4"-20 X 1/2"		12
25	H-250HCN	HCN 1/4"-20		50
26	H-312HCN	HCN 5/16"-18		4
27	H-37015	NYLOK #10-32		4
28	H-70053	HCS 5/16"- 18 X 3/4" SS		5
29	H-70710	HN 1/4"- 20 SS		4
30	H-71009	FW #10 SS		2
31	H-71015	FW 5/16 ID X 3/4 OD SS		4
32	H-71063	LW 1/4" SS		3
33	H-71065	LW 5/16" SS		6
34	H-72515	PPH #10-32 X 1/2" S/S		6
35	H-72517	PPH #10-32 X 5/8" SS		2
36	H-NJ06C	JNYL 3/8- 16 SS		1
37	HHCS - SS	HCS 5/16"- 18 X 1/2"		2

34 Suggested Parts Inventory

Quantity	Part #	Description
1	7-130B	Front Caster
2	4-358	Rear HD Wheel
2	4-353	Rear Wheel
1	4-124	Hood Latch
1	4-150D	Sticker Set
2	4-1500	34 Sticker
1	4-153	FactoryCat Sticker
1	4-227	Low Battery Light
1	4-500	Filter Replacement
1	4-550	Seal Replacement
1	4-244	Charger
1	4-302	Belt
1	4-311	Belt
1	4-229	Red Rocker Switch
1	4-402	Side Broom Polypropylene