

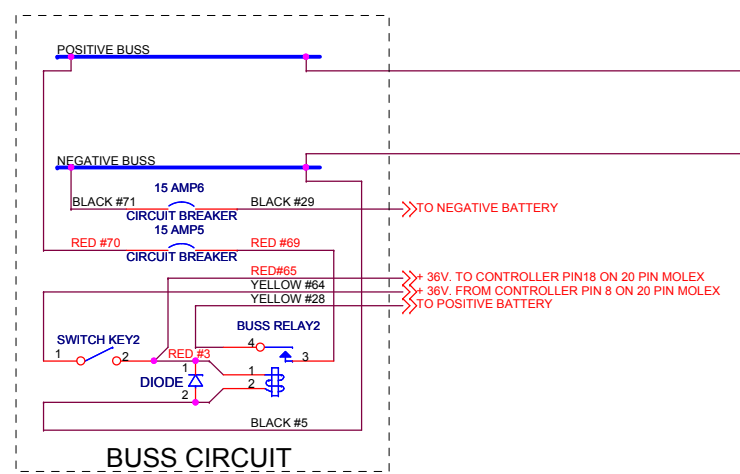
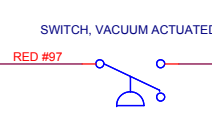
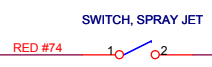
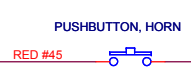
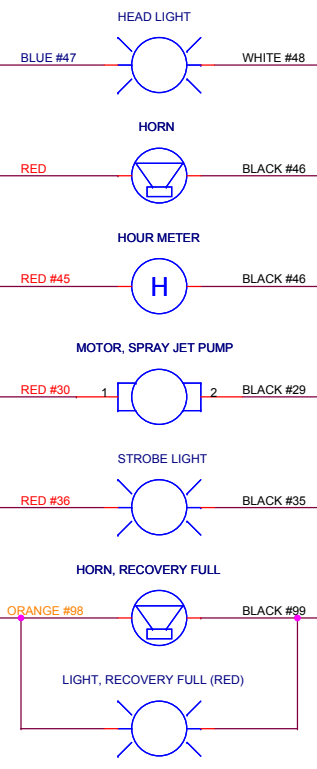
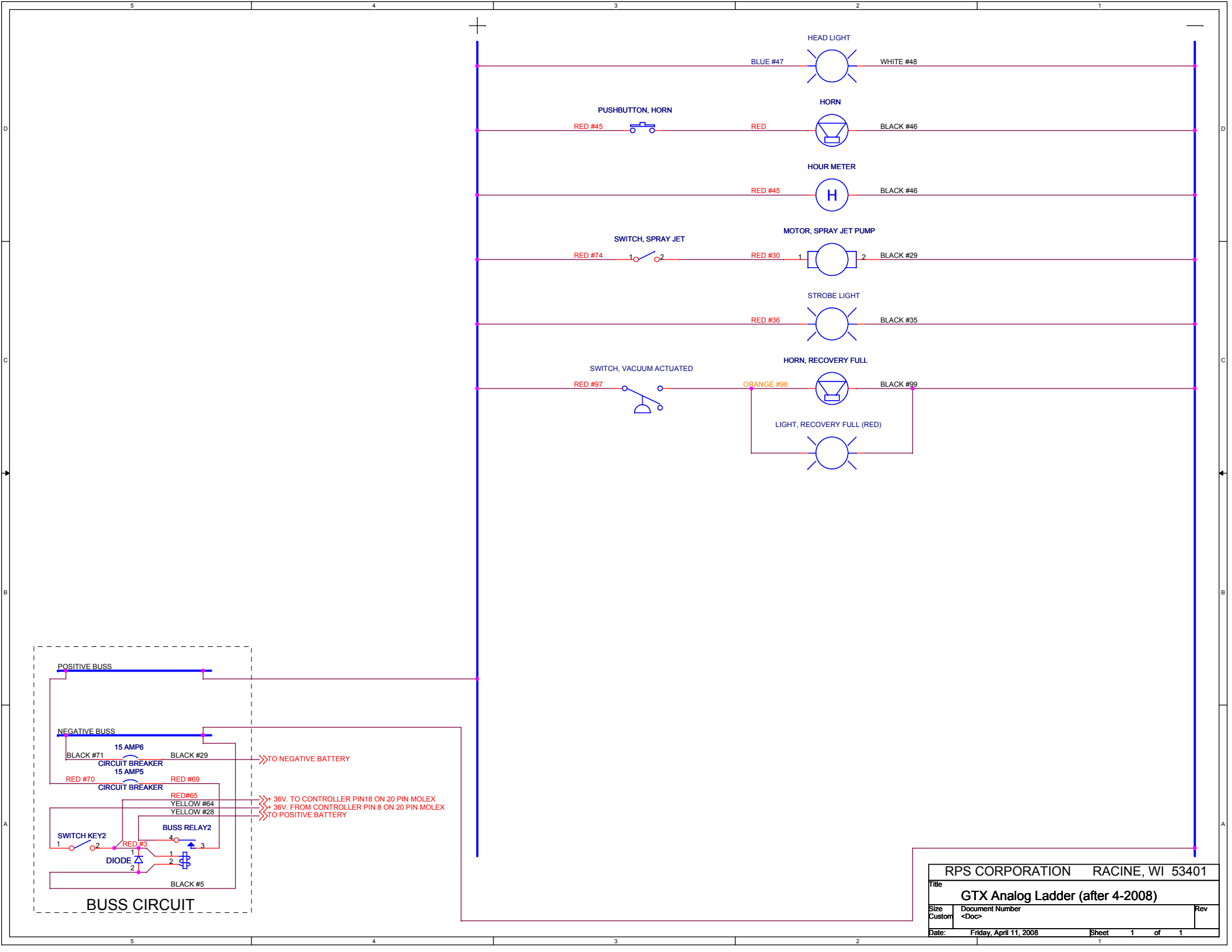
CONTROLLER

RPS CORPORATION RACINE, WI 53401

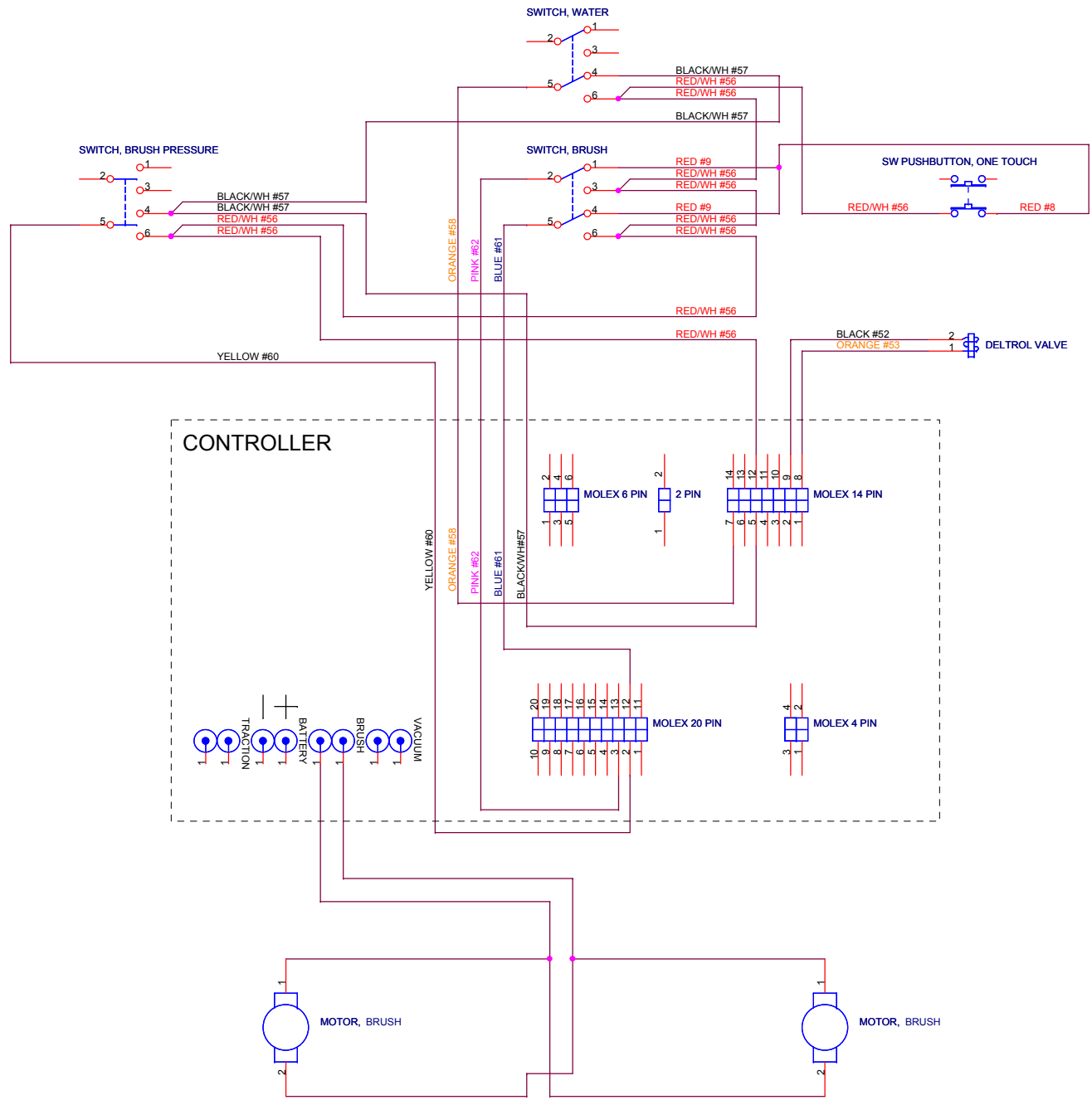
Title
GTX Central Command II (after 4-2008)

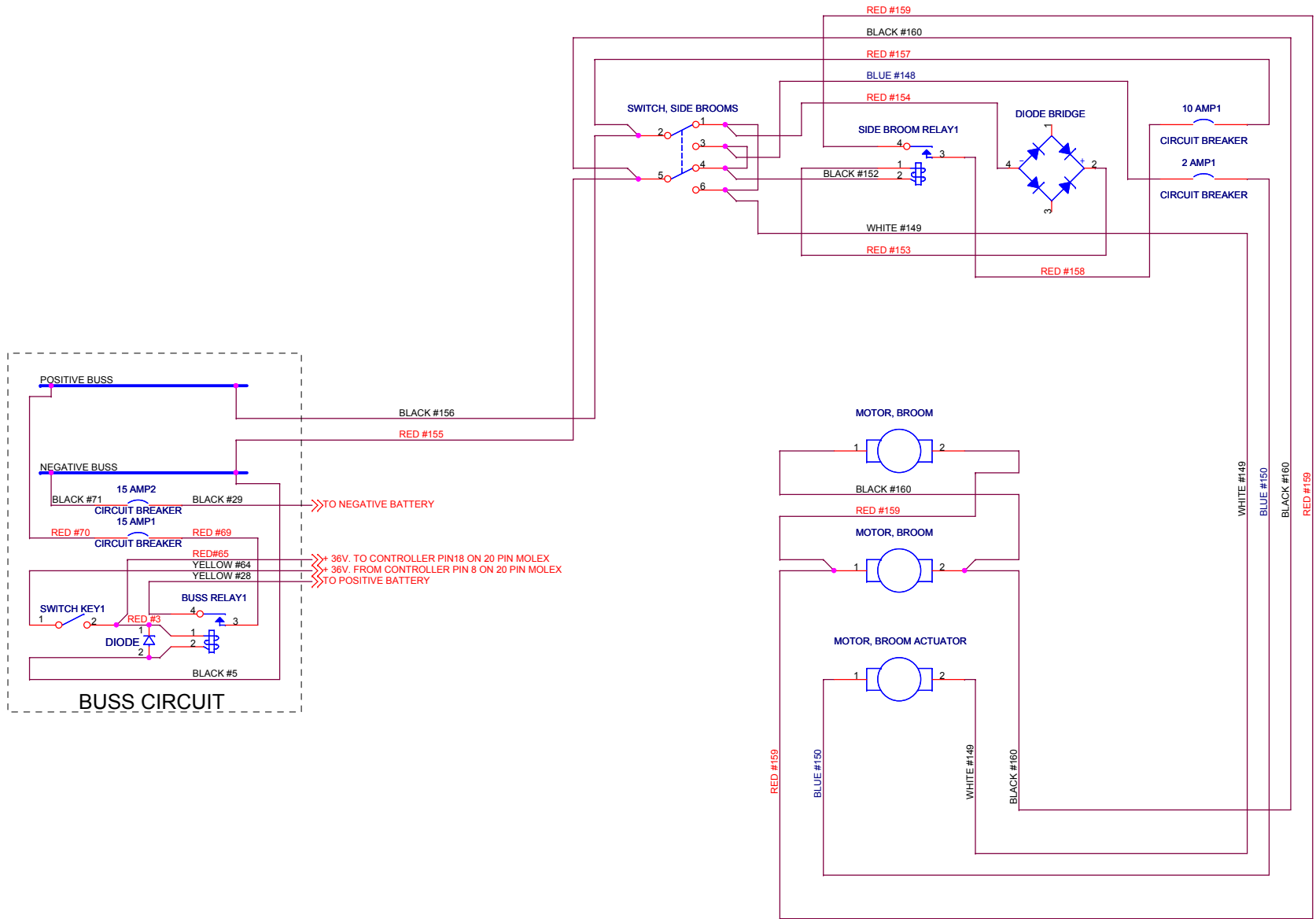
Size Custom Document Number 000-000 Rev 1.2

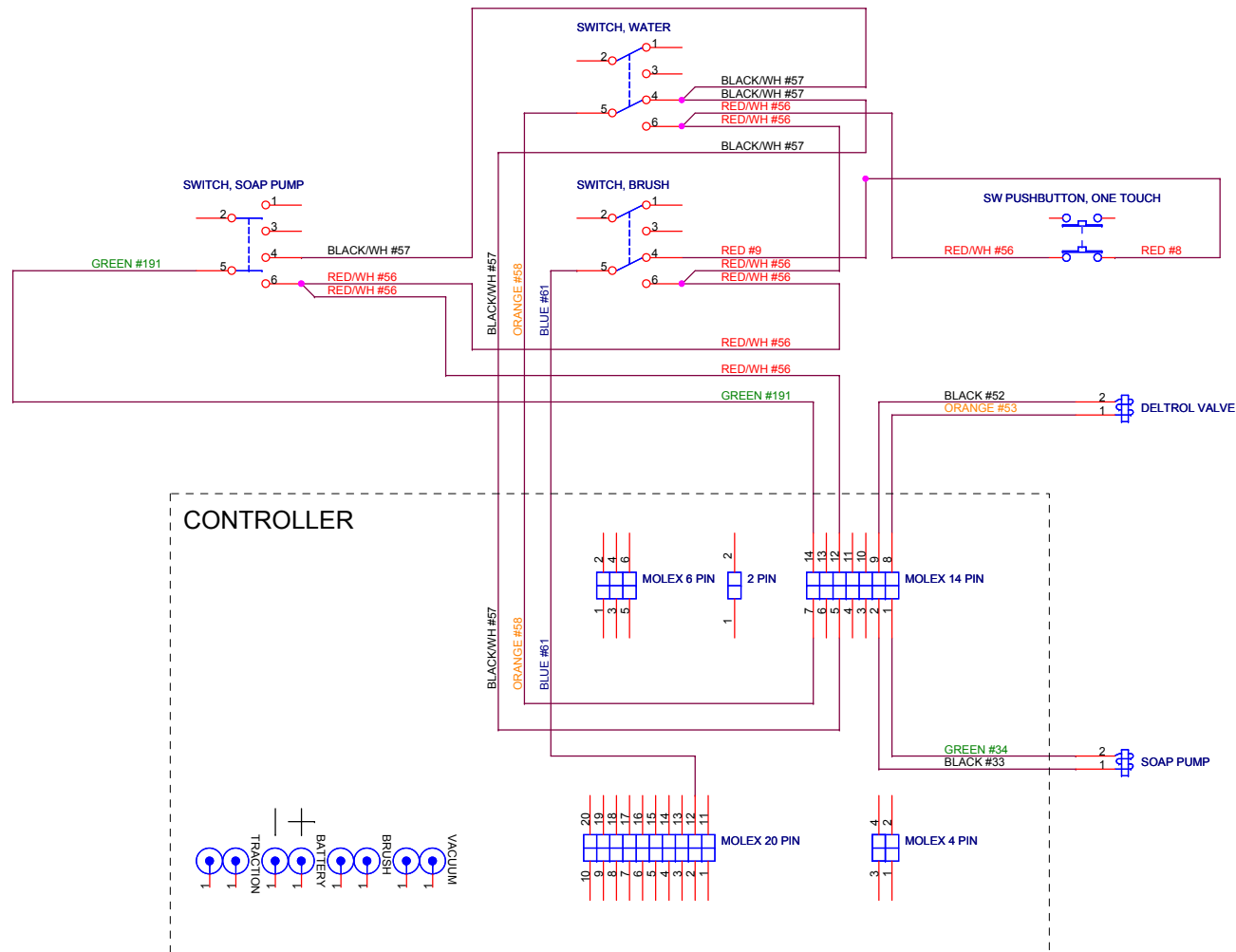
Date: Friday, April 11, 2008 Sheet 1 of 1

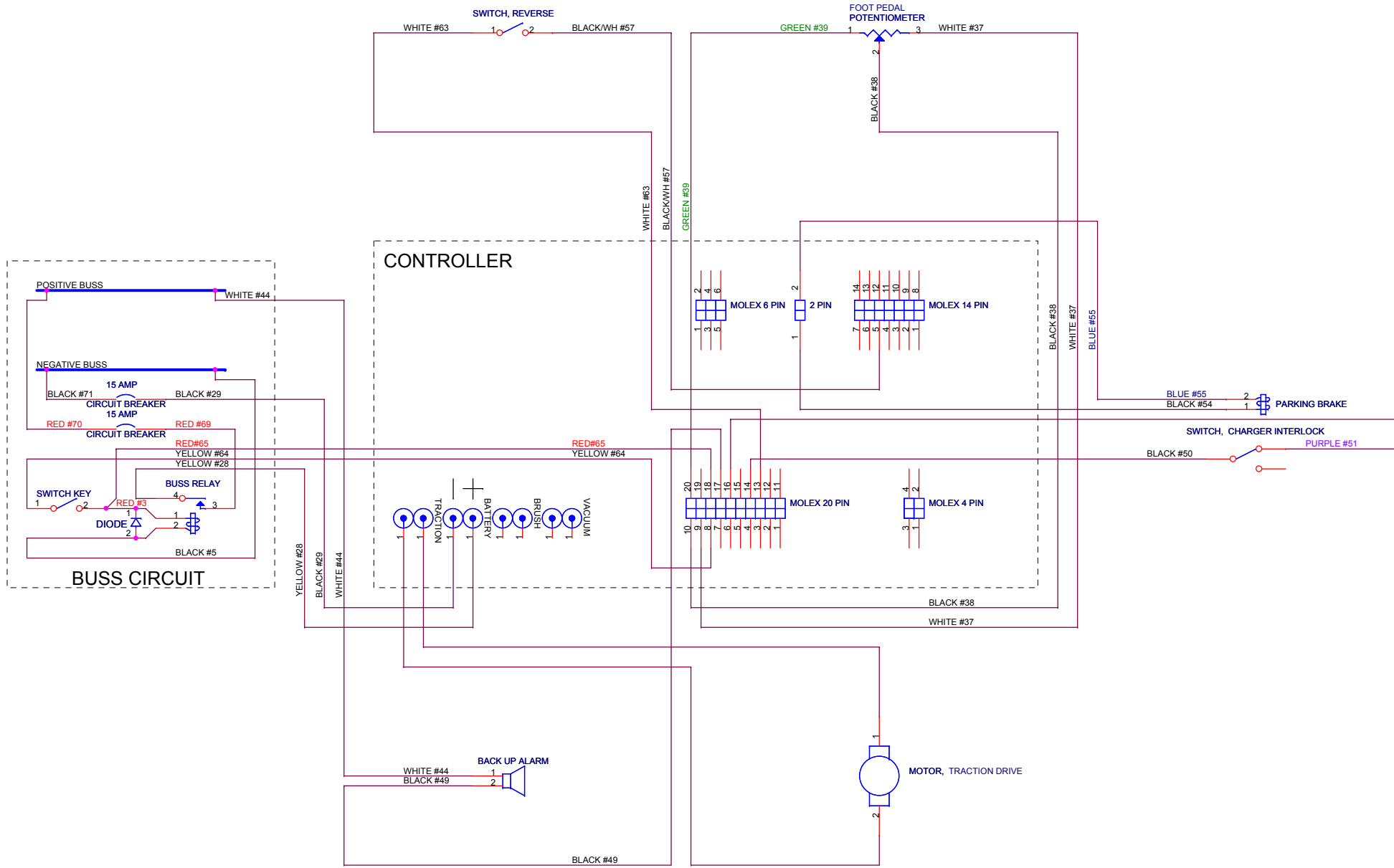


RPS CORPORATION RACINE, WI 53401	
Title GTX Analog Ladder (after 4-2008)	
Size Custom	Document Number <Doc>
Date: Friday, April 11, 2008	Sheet 1 of 1

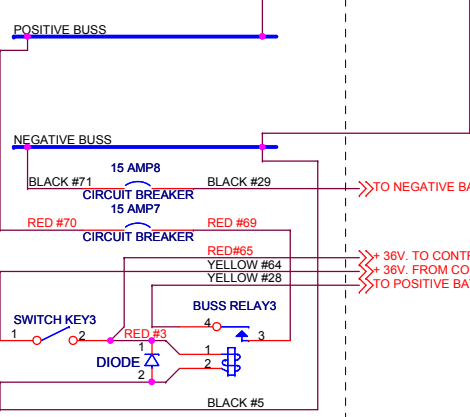
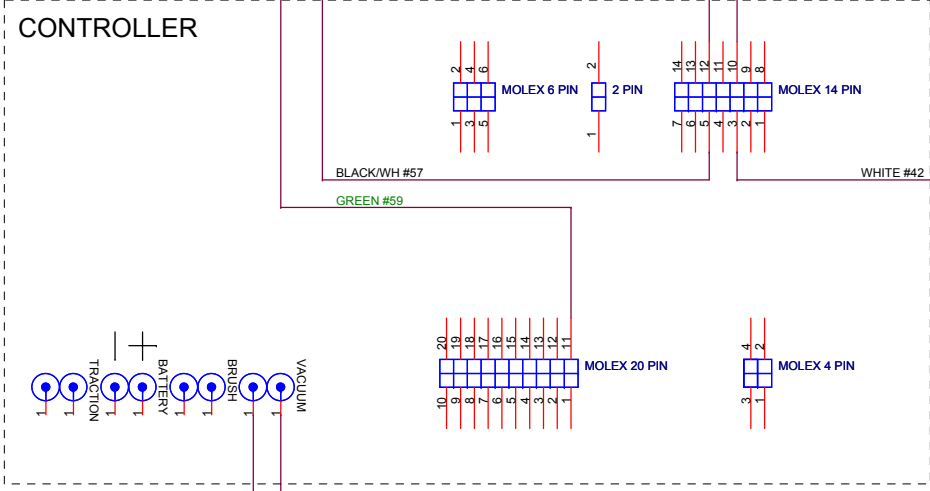
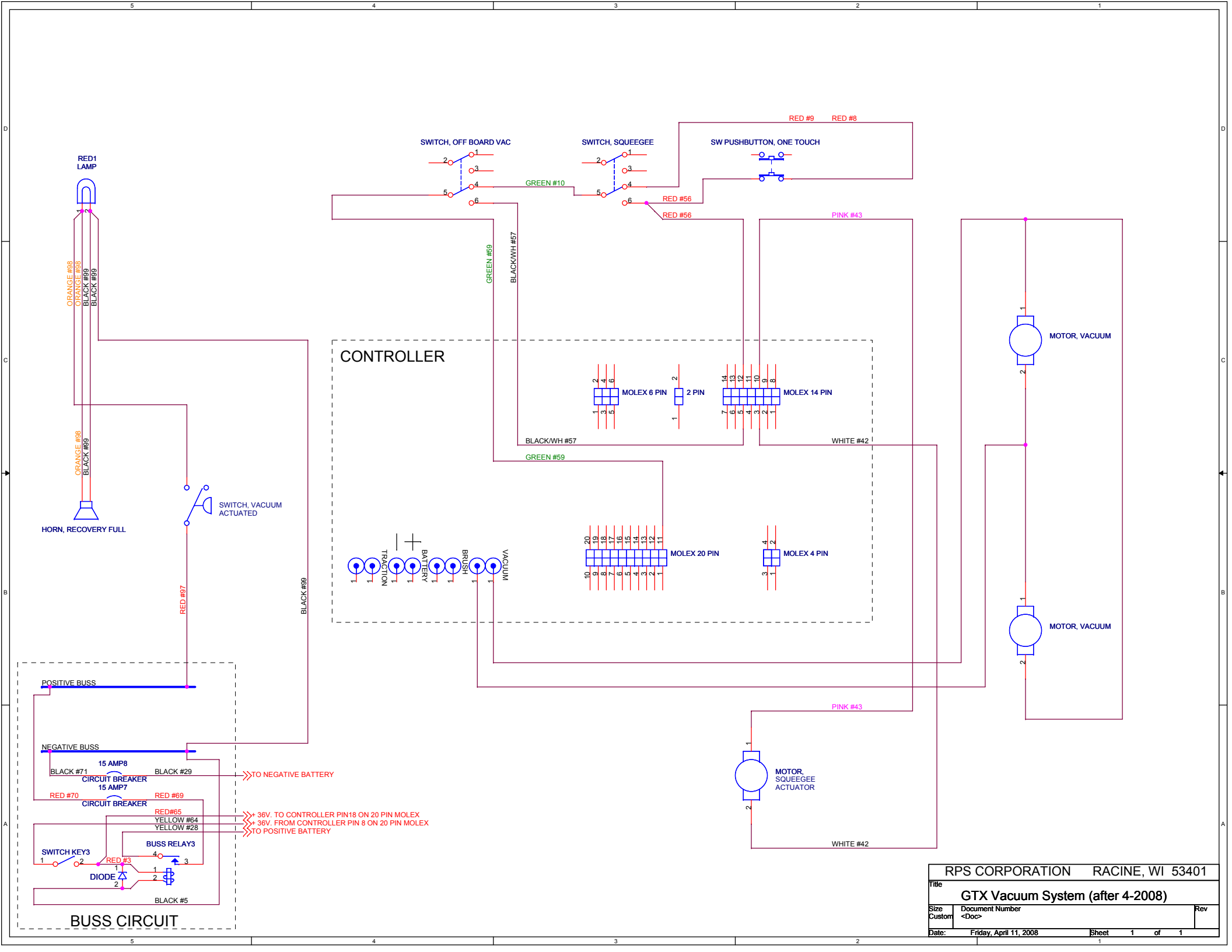








RPS CORPORATION RACINE, WI 53401		
Title GTX Traction System		
Size Custom	Document Number <Doc>	Rev
Date: Friday, April 11, 2008	Sheet 1	of 1



RPS CORPORATION RACINE, WI 53401	
Title GTX Vacuum System (after 4-2008)	
Size Custom	Document Number <Doc>
Date: Friday, April 11, 2008	Sheet 1 of 1

